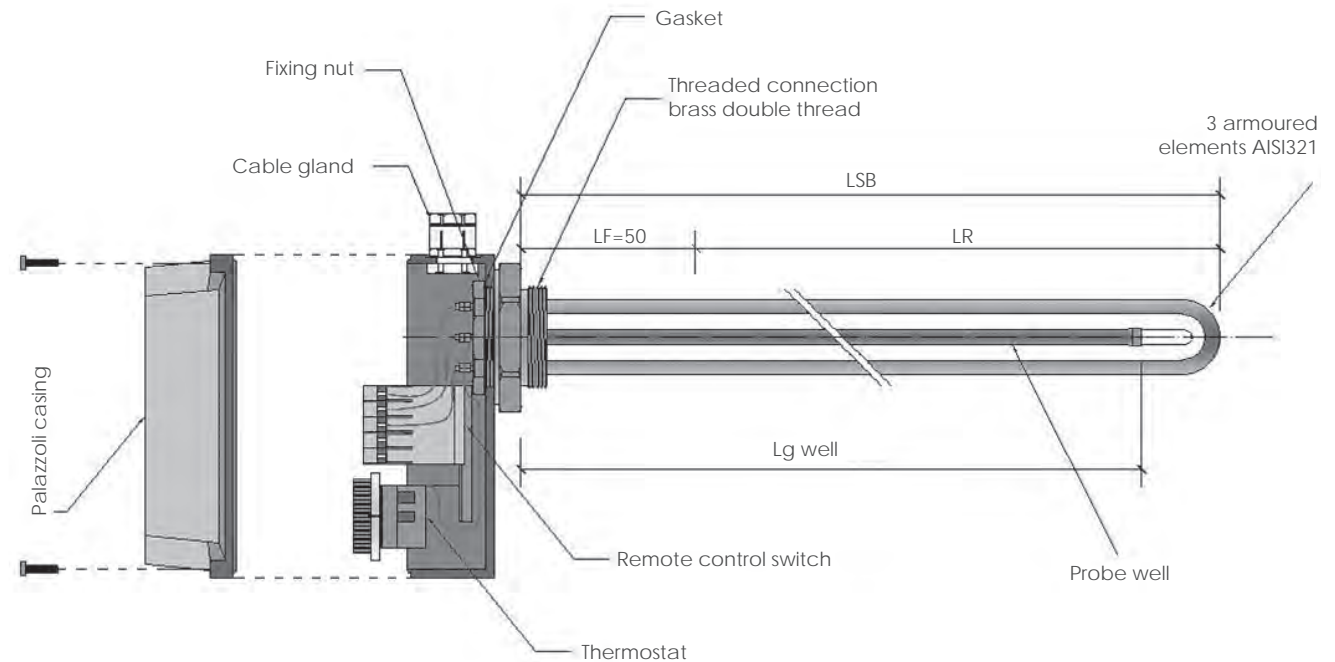


## ELECTRIC HEATERS WITH THERMOSTAT AND REMOTE CONTROL SWITCH FOR H2O

- 1" 1/4 gas or 2" gas brass connection
- Aisi 321 sheath
- Element diameter: "10"
- 3 x 230/400V elements
- Built-in thermostat and remote control switch
- IP65 Palazzoli casing
- Thermostat calibrated at 30-90°C or as requested



RESISTOR WITH REMOTE CONTROL SWITCH

L./mm	W	V	Thermostat and remote control switch	Connection	Casing	Code
300	1000	230/400	Yes	1"1/4	IP65	111.X.006960
300	2000	230/400	Yes	2"	IP65	111.X.006970
500	3000	230/400	Yes	2"	IP65	111.X.006980
600	4000	230/400	Yes	2"	IP65	111.X.006990
700	5000	230/400	Yes	2"	IP65	111.X.007000
900	7500	230/400	Yes	2"	IP65	111.X.007010