

## ELECTRIC BATTERIES WITH FINNED ELECTRIC HEATERS FOR TEMP. UP TO 250°C

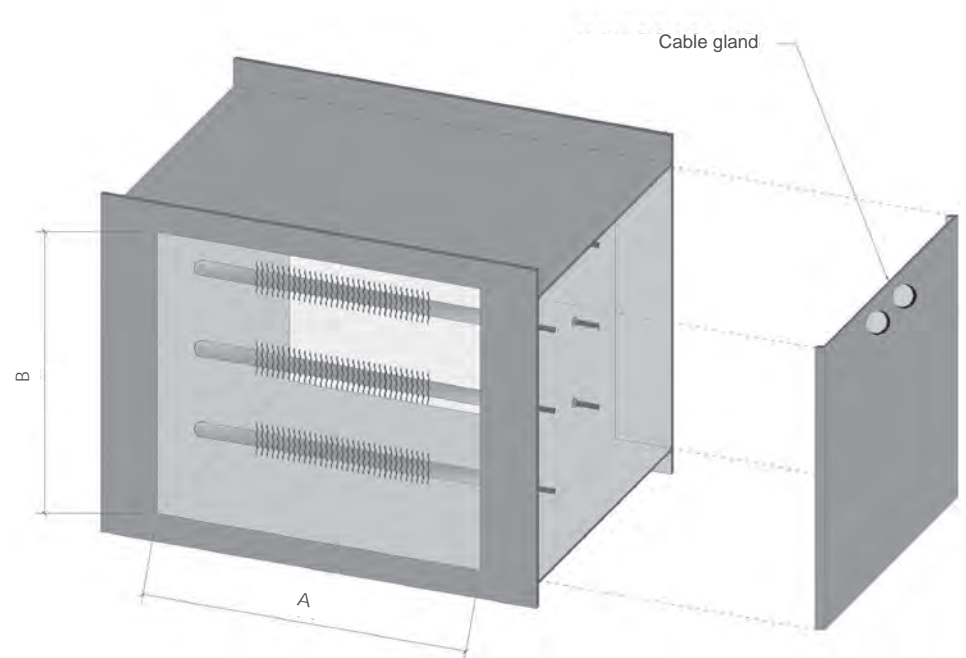
- **Stainless steel or carbon steel finned heaters and steel finning**
- **Unit voltage: 230V**
- **Stainless steel or galvanised metal sheet frame**
- **Safety thermostat: 50 - 300 °C**
- **Output air temperature: 250°C max.**

### USE

- Air or gas heating with forced circulation.

### CHARACTERISTICS

- The cable gland is normally placed on the frame (see drawing). On request, it can be placed on the faceplate.
- The stainless steel solution is recommended for corrosive vapours, moist environments and high temperatures.
- All batteries are equipped with a safety thermostat.
- An IP55 protection cover is recommended if the battery is to operate outdoors or in the presence of strong vapours, condensate or dripping water
- Heaters are mounted in perpendicular with the base (A elevation in the drawing)
- We also make cassette batteries.



### DATA REQUIRED FOR THE DESIGN OF ELECTRIC BATTERIES

Net clearance	cm <sup>2</sup>	AxB surface	Voltage	Volt	Single phase or three phase
Air flow rate	m <sup>3</sup> /h	Fan air output	Power	kW	
Air speed	m/s	Meters per second	Thermal jump	ΔT	Diff. between T2 output air and T1 input air
Stages	Nr.	Distribution of the total power	Loss of max. load	mmH <sub>2</sub> O	Input/output pressure difference
Protection rating	IP	Protection of the electrical terminal block			

## ELECTRIC BATTERS WITH SMOOTH TUBULAR HEATERS FOR TEMP. UP TO 650°C

These units, installed in forced air ducts, consistently provide heat for industrial processes requiring air temperatures up to 650°C.

The structure is made of stainless steel flanges and spacers, in which heating elements are easily replaced.

The thermally insulated terminals are closed in a ventilated enclosure.

### USE

- Recirculation furnaces
- Gas/oil flue gas conversion furnaces
- Food drying and seasoning ovens
- Heat accumulators
- Purifiers
- Dehumidifiers.

### CHARACTERISTICS

- Maximum sheath temperature: 700°C with Incoly 800 smooth tubes and stainless steel frame.

### OPTIONS

- Made entirely of stainless steel.
- IP55 or explosion-proof terminals.
- Probe holder sheath.
- Thermocouple welded to the sheath to be connected to a system to protect against overheating.

